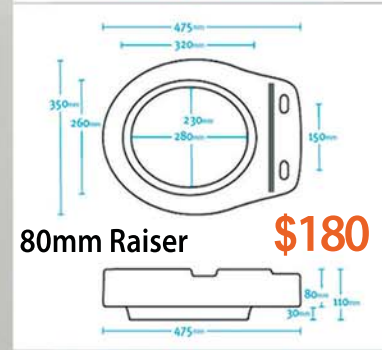
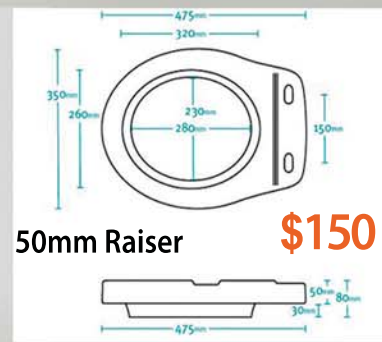


Seat Raiser Arm and Bidet Health Care Package

1. REMOVE YOUR TOILET SEAT

2. PLACE THE RAISER

3. FIT THE ARMS



**The
BIDET
SHOP**

If your toilet needs to be raised you can raise your toilet an additional 50-80mm by using our seat raiser attachment.
FREECALL 1800 BIDETSHOP, that's 1800 243 387