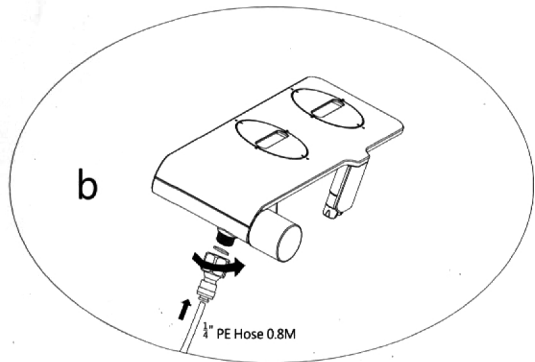
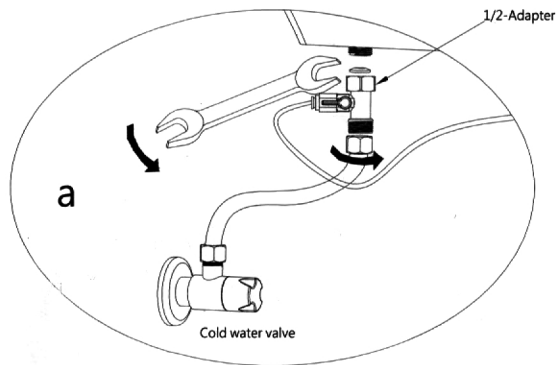
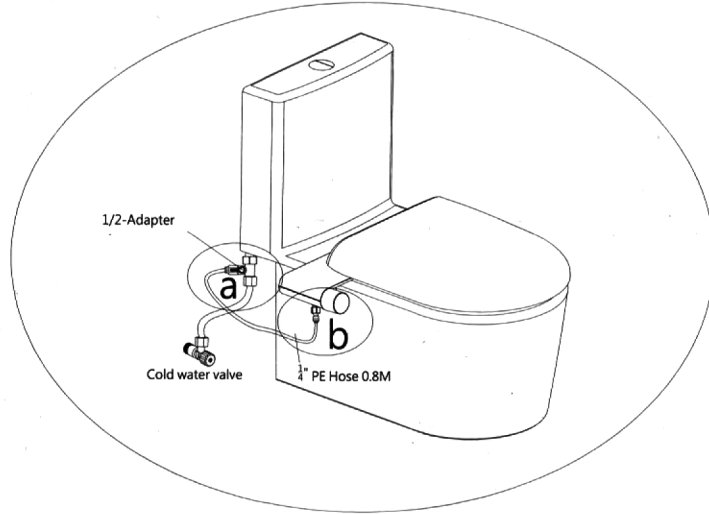
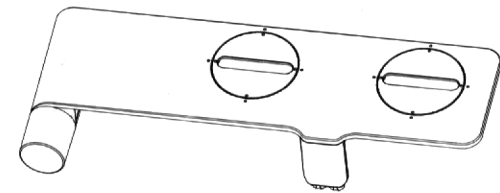


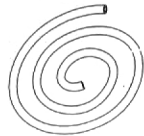
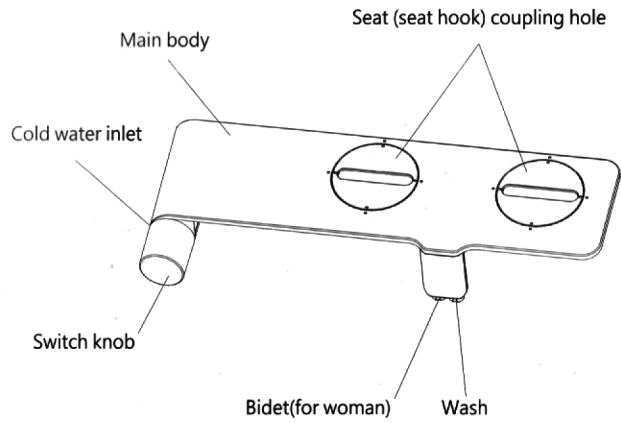
# Connecting Water Supply






# INSTRUCTION MANUAL

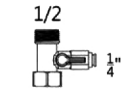


# Names and Functions of Parts



1/2" PE Hose 0.8M

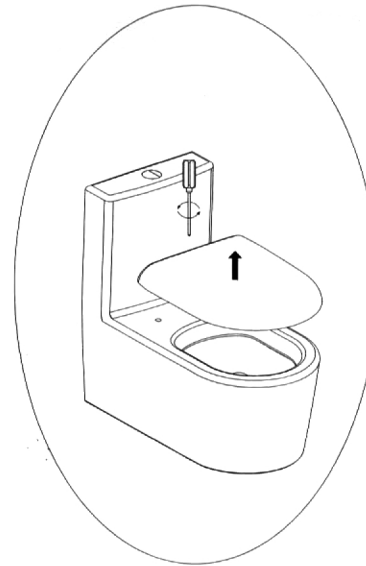
Installation Tools Needed		
		
Wrench	Teflon tape	Screwdriver



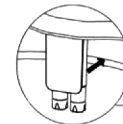
1/2-Adapter



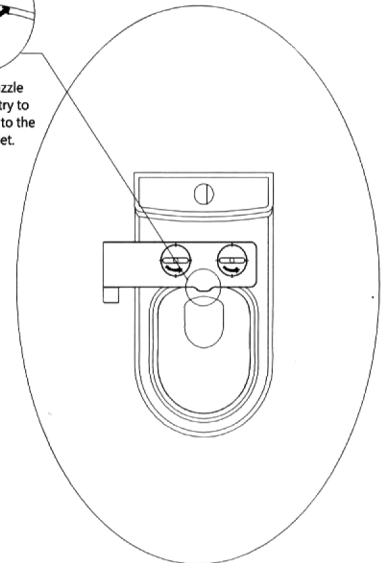
# Install The Bidet



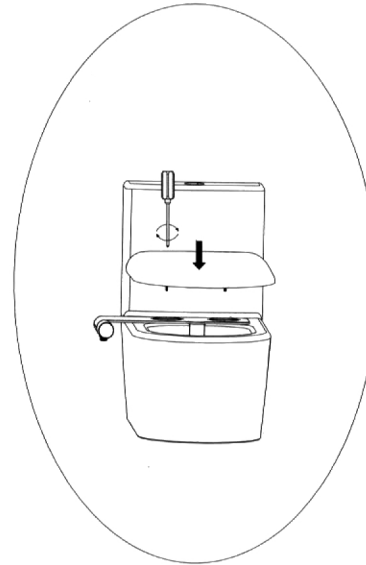
a



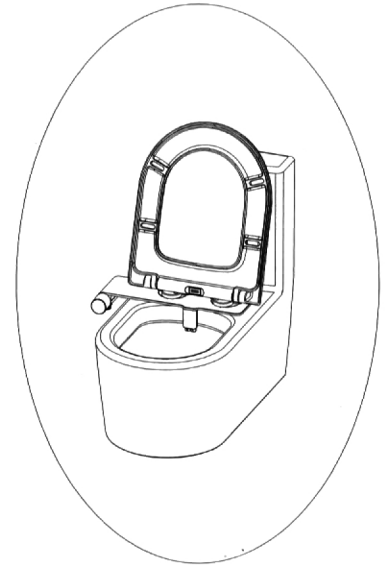
Adjust the nozzle position and try to make it close to the rim of the toilet.



b



c



d